



## Vestil Manufacturing Corp.

2999 North Wayne Street, P.O. Box 507, Angola, IN 46703

Telephone: (260) 665-7586 -or- Toll Free (800) 348-0868

Fax: (260) 665-1339

Web: [www.vestilmfg.com](http://www.vestilmfg.com) e-mail: [info@vestil.com](mailto:info@vestil.com)

# MSW-72-3



### Receiving Instructions

After delivery, remove the packaging from the product. Inspect the product closely to determine whether it sustained damage during transport. If damage is discovered, record a complete description of it on the bill of lading. If the product is undamaged, discard the packaging.

**NOTE:** The end-user is solely responsible for confirming that product design, use, and maintenance comply with laws, regulations, codes, and mandatory standards applied where the product is used.

### Technical Service & Replacement Parts

For answers to questions not addressed in these instructions and to order replacement parts, labels, and accessories, call our Technical Service and Parts Department at (260) 665-7586. The Department can also be contacted online at <https://www.vestil.com/page-parts-request.php>.

### Electronic Copies of Instruction Manuals

Additional copies of this instruction manual may be downloaded from <https://www.vestil.com/page-manuals.php>.

### Table of Contents

	Page
Specifications.....	2
Signal Words.....	2
Exploded View and Bill of Materials.....	3
Assembling the Cart.....	3
Safety Instructions.....	4
Using the Product.....	4
Record of Satisfactory Condition.....	5
Inspections & Maintenance.....	5
Labeling Diagram.....	5
Limited Warranty.....	6

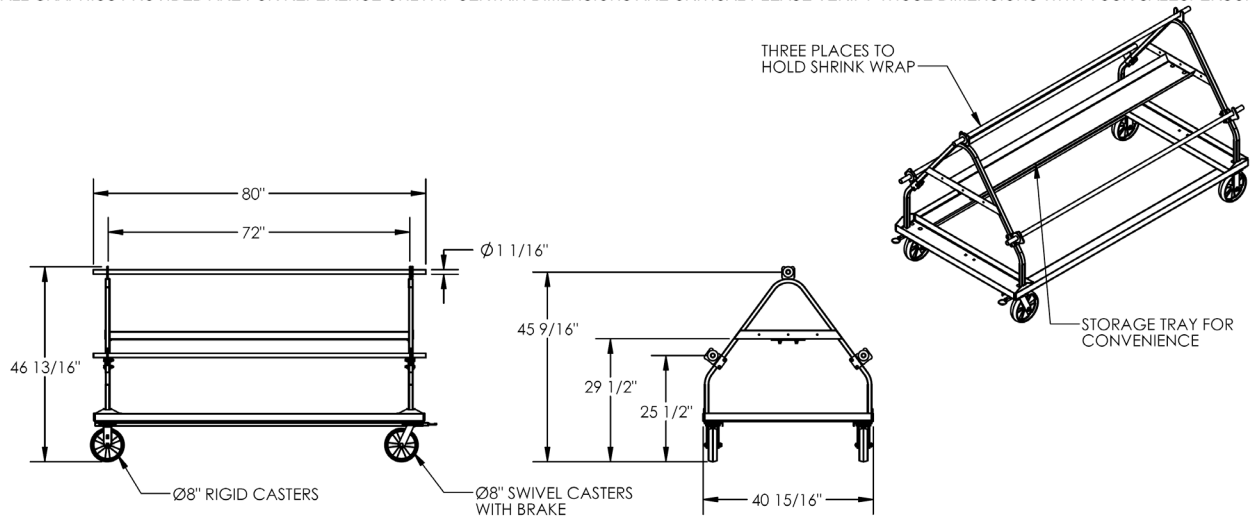
# SPECIFICATIONS

Specifications for MSW-series stretch wrap cart are provided on Vestil's website. To access the specifications document, navigate to this webpage: <https://www.vestil.com/product.php?FID=432>. Click the "Specifications" tab. Scroll the page to the entry for the model you purchased, and click the button in the PDF column that looks like a pencil inside a blue box. A PDF file will open. This file is the specifications document. Print a copy of the document and keep it with your copy of this manual. The following is an exemplar specifications document (16-007-433).

## SHRINK WRAP CART - MSW-72-3

APPROX WEIGHT: 188.16 lbs.  
DOES NOT INCLUDE WEIGHT OF POWER OR PACKAGING!!!

\*\*\* ANY ADDITIONS, DELETIONS, OR OMISSIONS MUST BE CORRECTED ON THIS DRAWING AS THIS DRAWING WILL BE CONSIDERED ALL INCLUSIVE \*\*\*  
ALL GRAPHICS PROVIDED ARE FOR REFERENCE ONLY. IF CERTAIN DIMENSIONS ARE CRITICAL PLEASE VERIFY THOSE DIMENSIONS WITH YOUR SALESPERSON



### STANDARD FEATURES

- MODEL NUMBER IS MSW-72-3
- OVERALL WIDTH IS 40 15/16"
- OVERALL LENGTH IS 80"
- OVERALL HEIGHT IS 46 13/16"
- TOTAL CAPACITY IS 450 LBS
- MAXIMUM ROLL WIDTH IS 72"
- THREE ROLLS UP TO 150 LBS EACH
- TOUGH BAKED IN POWDER COATED BLUE FINISH

### SPECIAL FEATURES

NONE

DIMENSION TOLERANCE ± 1/4"

APPROVAL	I, THE UNDERSIGNED, AGREE THAT THE PRODUCT AS REPRESENTED SATISFIES DESIGN AND DIMENSION REQUIREMENTS. I ALSO ACKNOWLEDGE MY DUTY TO CONFIRM PRODUCT AND INSTALLATION COMPLIANCE WITH ALL APPLICABLE FEDERAL, STATE AND LOCAL REGULATIONS AND STANDARDS.	
	<b>ANY MODIFIED UNITS ARE NON-RETURNABLE</b>	
	[ ] As drawn [ ] As marked	
	Signed: _____	Date: _____
Printed Name: _____		
LEAD TIME WILL START UPON RECEIPT OF SIGNED APPROVAL DRAWING		

FOR INTERNAL USE ONLY PROJECT SIGN OFF		DISTRIBUTOR'S NAME:		P.O.#
		<b>VESTIL MANUFACTURING</b>		X
SALES		DRAWN BY:		W.O.#
ENG.		DATE:		X
FAB.		REFERENCE: X	SCALE: 1:28	FILE NAME:
POWER		QUOTED LEAD TIME: X	QUOTE # X	16-007-433

# SIGNAL WORDS

This manual uses SIGNAL WORDS to indicate the likelihood that a particular action will cause personal injuries or property damage. Signal words also specify the level of seriousness of injury if the product is misused in the ways described. The following signal words are used in this manual.



**Identifies a hazardous situation which, if not avoided, WILL result in DEATH or SERIOUS INJURY. Use of this signal word is limited to the most extreme situations.**



**Identifies a hazardous situation which, if not avoided, COULD result in DEATH or SERIOUS INJURY.**

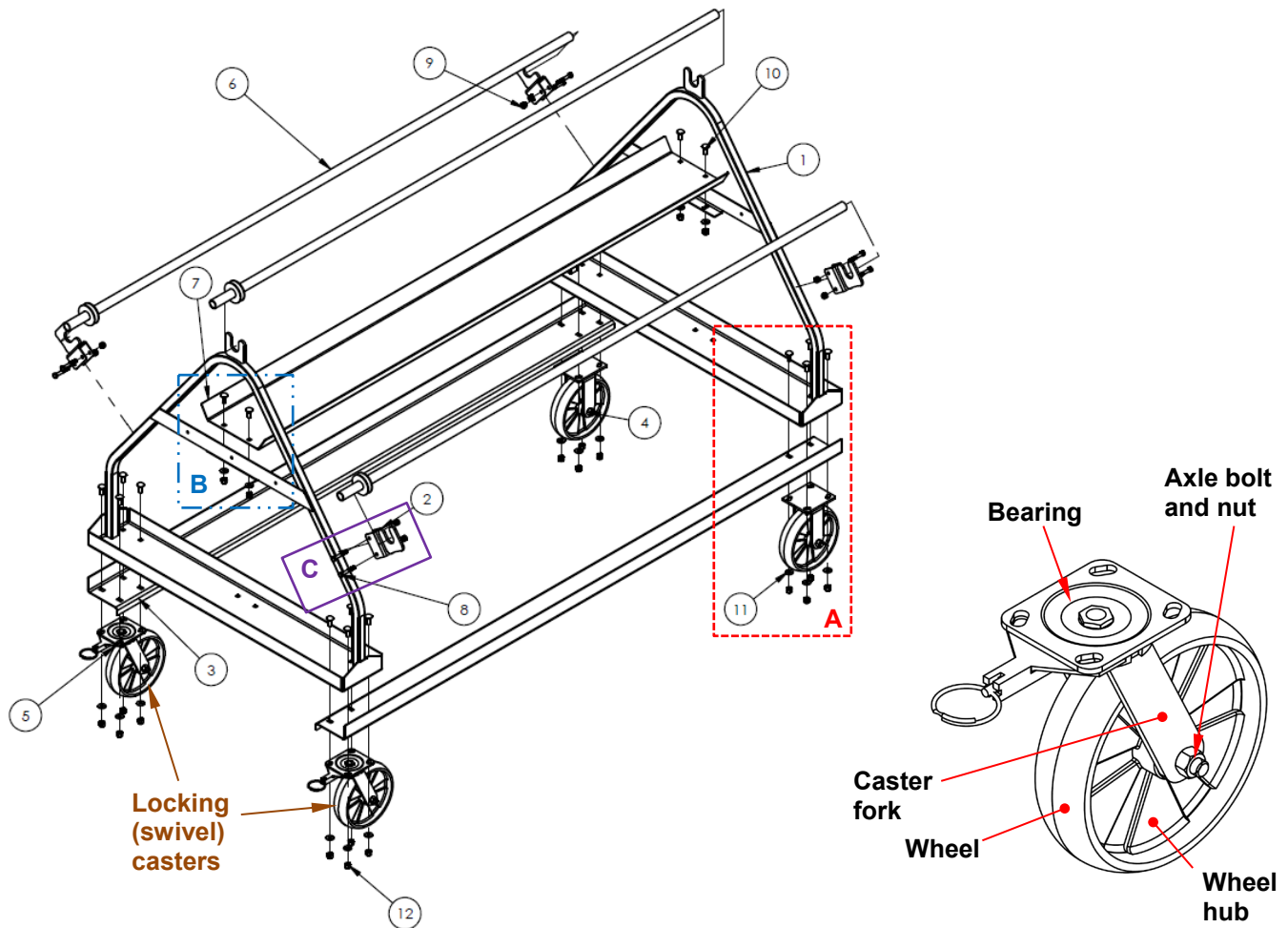


**Indicates a hazardous situation which, if not avoided, COULD result in MINOR or MODERATE injury.**



**Identifies practices likely to result in product/property damage, such as operation that might damage the product.**

## EXPLODED VIEW AND BILL OF MATERIALS (16-006-433)



ITEM NO.	PART NO.	DESCRIPTION	QTY.
1	16-514-299	FRAME, SIDE, WELDMENT	2
2	16-516-026	BRACKET, ROLL SUPPORT, WELDMENT	4
3	16-014-505	FRAME, BOTTOM SUPPORT	2
4	16-132-233	CASTER, RIGID, GFN-8/2-R	2
5	16-132-249	CASTER, LOCKING	2
6	16-514-300	WELDMENT, FRAME, ROLL SUPPORT	3
7	16-014-506	FRAME, SUPPORT, TRAY	1
8	11061	HHCS #2 Z PLATED, 5/16-18 X 2" LG	8
9	37021	NYLON INSERT LOCK NUT, GRADE 2, ZINC FINISH, 5/16"-18	8
10	21355	3/8"-16 X 1" ZINC FINISH GRADE A ROUND HEAD CARRIAGE BOLT	20
11	33006	FLAT WASHER, ZINC PLATED, USS, 5/16"	20
12	37024	NYLON INSERT LOCK NUT, GRADE 2, ZINC FINISH, 3/8"-16	20

### ASSEMBLING THE CART

Assemble the unit as shown in the *EXPLODED VIEW*.

- A. Attach casters to the bottom support frame pieces (3) with 3/8"-16 hardware (10; 11; 12). Note the locations of locking casters.
- B. Attach the support tray (7) to the side weldments (1) with 3/8"-16 hardware (10; 11; 12).
- C. Attach roll support brackets (2) to side weldments (1) with 5/16" hardware (8; 9).
- D. Install roll supports (6). The supports must seat into the slots in the roll support brackets. See diagrams in [USING THE CART](#) on p. 4.

## SAFETY INSTRUCTIONS

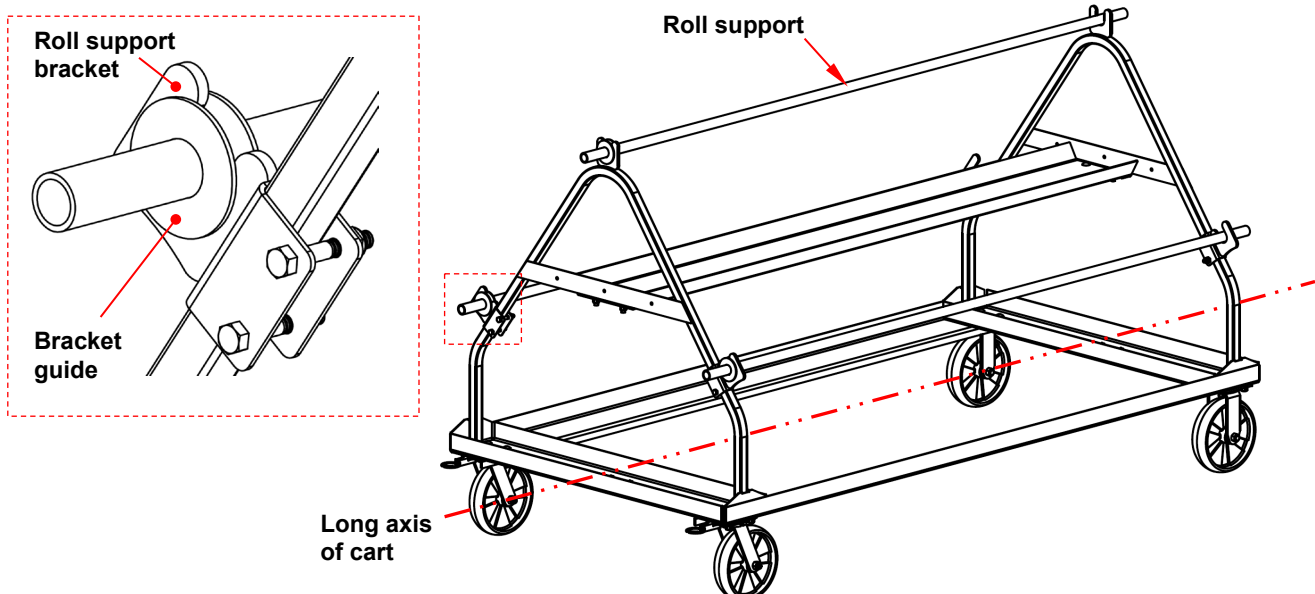
Vestil strives to identify all foreseeable hazards associated with the use of its products. Material handling is dangerous and no manual can address every conceivable risk. Ultimately, the most effective way to prevent injury is to apply sound judgment whenever using this device.

- WARNING** Improper or careless use of this product could result in death or serious personal injuries.
- *Read and understand the entire manual before assembling, installing, using or servicing the product.* Read the manual to refresh your understanding of proper use and maintenance procedures.
  - **DO NOT** attempt to resolve any problem(s) with the product unless you are both authorized to do so and certain that it will be safe to use afterwards.
  - **DO NOT** modify the product in any way **UNLESS** you first obtain written approval from Vestil. Unapproved modifications automatically void the **LIMITED WARRANTY** and might make the product unsafe to use.
  - **DO NOT** exceed the capacity: 450 pounds (204.5kg). Capacity information is provided in on-product labeling. See Label 1153 in the **LABELING DIAGRAM** on p. 4.
  - Inspect the product according to the instructions in **INSPECTIONS & MAINTENANCE**. **DO NOT** use the product unless it is in **SATISFACTORY CONDITION**.
  - **DO NOT** use this device **UNLESS** all product labels are readable and undamaged. See **LABELING DIAGRAM**.

- NOTICE** Proper use, maintenance, and storage are essential for this product to function properly.
- Always use this product in accordance with the instructions in this manual and consistent with any training relevant to machines, devices, etc. used in conjunction with this product.
  - Keep the product clean & dry. Lubricate moving parts.

## USING THE CART

Assemble the cart as shown in the **EXPLODED VIEW** on p. 2. Load a roll of stretch wrap onto the cart by removing a roll support (6). Grasp the support near the bracket guides. Lift the support clear of the roll support bracket (2). Insert the support into the core of a roll of stretch wrap material. Lift the support and reinstall it on the cart. Make sure that the roll support bracket seats between the 2 bracket guides. Evenly distribute weight on either side of the long axis of the cart.



## RECORD OF SATISFACTORY CONDITION (THE “RECORD”)

After the unit is assembled, make a detailed record of its condition. Include observations about welds, frame elements, roll supports and roll support brackets, fasteners (bolts, nuts, washers, etc.) and casters. Thoroughly photograph the unit from multiple angles so that all features are clearly imaged. Photograph all labels applied to the product. Describe where each label is located. Collect the photographs and writings in a single file. This file is a record of the product in satisfactory condition. Compare the results of each inspection to this *RECORD* to determine whether the unit is in satisfactory condition. Do not use the product unless it is in satisfactory condition.

## INSPECTIONS AND MAINTENANCE (REFER TO EXPLODED VIEW, P. 3)

Compare inspection results to the [RECORD](#). Do not continue to use the product unless every component is in [SATISFACTORY CONDITION](#). Cosmetic changes, like damaged paint/powder coat do not constitute changes from satisfactory condition. However, touchup paint should be applied to all affected areas as soon as damage occurs. Contact [TECHNICAL SERVICE](#) to order replacement parts. Contact information is provided on the cover page of this manual.

Inspect the following at least once per month:

1. Surfaces – Clean dirt and debris from the surfaces of the stand.
2. Fasteners – Examine all fasteners (bolts, nuts, lock nuts, washers, etc.). Replace damaged/worn hardware. Tighten bolts and nuts. If a lock nut has loosened or has been removed, it
3. Frame/assembly – Examine the frame for wear, breaks, corrosion/rust, metal fatigue, and other forms of damage (e.g. impact damage). . If rusting is purely superficial, remove the rust/corrosion. Clean the affected area and apply touchup paint. If rusting, rot, or thinning has weakened the material, contact [TECHNICAL SERVICE](#) for assistance.
4. Casters – Casters must be tightly fastened to the frame. Tighten the hex nuts, if necessary. Examine the caster forks, wheels, and wheel hubs for cracks, bends, and other damage. Check the axle bolt and nut of each caster. Push the cart a short distance. The cart should not wobble/shake while rolling.
5. Labels – Replace all labels that are damaged, missing, or not easily readable.

## LABELING DIAGRAM

Label content and location are subject to change so your product might not be labeled exactly as shown. Compare this diagram to the [RECORD](#). If differences exist between the diagram and the [RECORD](#), contact [TECHNICAL SERVICE](#). Replace all labels that are damaged, missing, or not easily readable (e.g. faded). To order replacement labels, contact the technical service and parts department online at [http://www.vestilmfg.com/parts\\_info.htm](http://www.vestilmfg.com/parts_info.htm). Alternatively, you may request replacement parts and/or service by calling (260) 665-7586 and asking the operator to connect you to the [TECHNICAL SERVICE AND PARTS DEPARTMENT](#).

### LABEL 1153

MODEL / MODELO / MODÈLE \_\_\_\_\_  
 WEIGHT / PESO / MASS \_\_\_\_\_  
 CAPACITY / CAPACIDAD / CAPACITÉ \_\_\_\_\_  
 SERIAL / SERIE / SÉRIE \_\_\_\_\_  
 UNITS: 2.2 lb. = 1kg      1' (or 1in.) = 2.54cm      1153

### LABEL 658

▲ WARNING	▲ ADVERTENCIA	▲ AVERTISSEMENT
Do not operate more with unstable loads DO NOT LOAD beyond rated capacity DISTRIBUTE LOAD EVENLY DO NOT sit or ride	No use a mueva con cargas inestables No cargar más de la capacidad máxima DISTRIBUIA LA CARGA A NIVEL NO SE SENTE o vaya en el carro	Ne pas utiliser avec une charge instable NE PAS CHARGER au-delà du poids nominal DISTRIBUER le charge régulièrement NE PAS VOUS ASSOIR ou VOUS PROMENER sur le chariot

### LABEL 212

▲ WARNING	▲ ADVERTENCIA	▲ AVERTISSEMENT
Immobilize by applying all caster brakes and/or floor locks when in use, loading, and unloading.	Inmovilice aplicando todos los frenos de las ruedas y / o bloques del piso cuando esté en uso, cargando y descargando.	Immobiliser en appliquant tous les freins des roulettes et / ou les verrous de plancher lors de l'utilisation, du chargement et ...





## LIMITED WARRANTY

Vestil Manufacturing Corporation (“Vestil”) warrants this product to be free of defects in material and workmanship during the warranty period. Our warranty obligation is to provide a replacement for a defective, original part covered by the warranty after we receive a proper request from the Warrantee (you) for warranty service.

### Who may request service?

Only a warrantee may request service. You are a warrantee if you purchased the product from Vestil or from an authorized distributor AND Vestil has been fully paid.

### Definition of “original part”?

An original part is a part used to make the product as shipped to the Warrantee.

### What is a “proper request”?

A request for warranty service is proper if Vestil receives: 1) a photocopy of the Customer Invoice that displays the shipping date; AND 2) a written request for warranty service including your name and phone number. Send requests by one of the following methods:

<u>US Mail</u>	<u>Fax</u>	<u>Email</u>
Vestil Manufacturing Corporation 2999 North Wayne Street, PO Box 507 Angola, IN 46703	(260) 665-1339 <u>Phone</u> (260) 665-7586	<a href="mailto:info@vestil.com">info@vestil.com</a> Enter “Warranty service request” in subject field.

In the written request, list the parts believed to be defective and include the address where replacements should be delivered. After Vestil receives your request for warranty service, an authorized representative will contact you to determine whether your claim is covered by the warranty. Before providing warranty service, Vestil will require you to send the entire product, or just the defective part (or parts), to its facility in Angola, IN.

### What is covered under the warranty?

The warranty covers defects in the following original, dynamic parts: motors, hydraulic pumps, motor controllers, and cylinders. It also covers defects in original parts that wear under normal usage conditions (“wearing parts”), such as bearings, hoses, wheels, seals, brushes, and batteries.

### How long is the warranty period?

The warranty period for original dynamic components is 90 days. For wearing parts, the warranty period is 90 days. Both warranty periods begin on the date Vestil ships the product to the Warrantee. If the product was purchased from an authorized distributor, the periods begin when the distributor ships the product. Vestil may, at its sole discretion, extend a warranty period for products shipped from authorized distributors by up to 30 days to account for shipping time.

### If a defective part is covered by the warranty, what will Vestil do to correct the problem?

Vestil will provide an appropriate replacement for any *covered* part. An authorized representative of Vestil will contact you to discuss your claim.

### What is not covered by the warranty?

The Warrantee (you) are responsible for paying labor costs and freight costs to return the product to Vestil for warranty service.

### Events that automatically void this Limited Warranty.

- Misuse;
- Negligent assembly, installation, operation or repair;
- Installation/use in corrosive environments;
- Inadequate or improper maintenance;
- Damage sustained during shipping;
- Collisions or other accidents that damage the product;
- Unauthorized modifications: Do not modify the product IN ANY WAY without first receiving written authorization from Vestil.

### Do any other warranties apply to the product?

Vestil Manufacturing Corp. makes no other express warranties. All implied warranties are disclaimed to the extent allowed by law. Any implied warranty not disclaimed is limited in scope to the terms of this Limited Warranty. Vestil makes no warranty or representation that this product complies with any state or local design, performance, or safety code or standard. Noncompliance with any such code or standard is not a defect in material or workmanship.